

# VDM-101HD

## 10.1" In-Vehicle Monitor (16:10)

1280 x 800 High Resolution / 500 nits / 1000:1 Contrast Ratio / Projected Capacitive Touch / DC 9~48V / Front Panel IP65

## Features

- Effortless One-Cable Connection
- 1280(H)×800(V) High Resolution
- High Brightness 500 Nits
- Secondary Video Input (HDMI)
- Projected Capacitive Multi-touch
- 9 ~ 48V DC Power Input
- Operating Temp.: -20 ~ 60°C
- Vehicle Regulation E-Mark



## Introduction

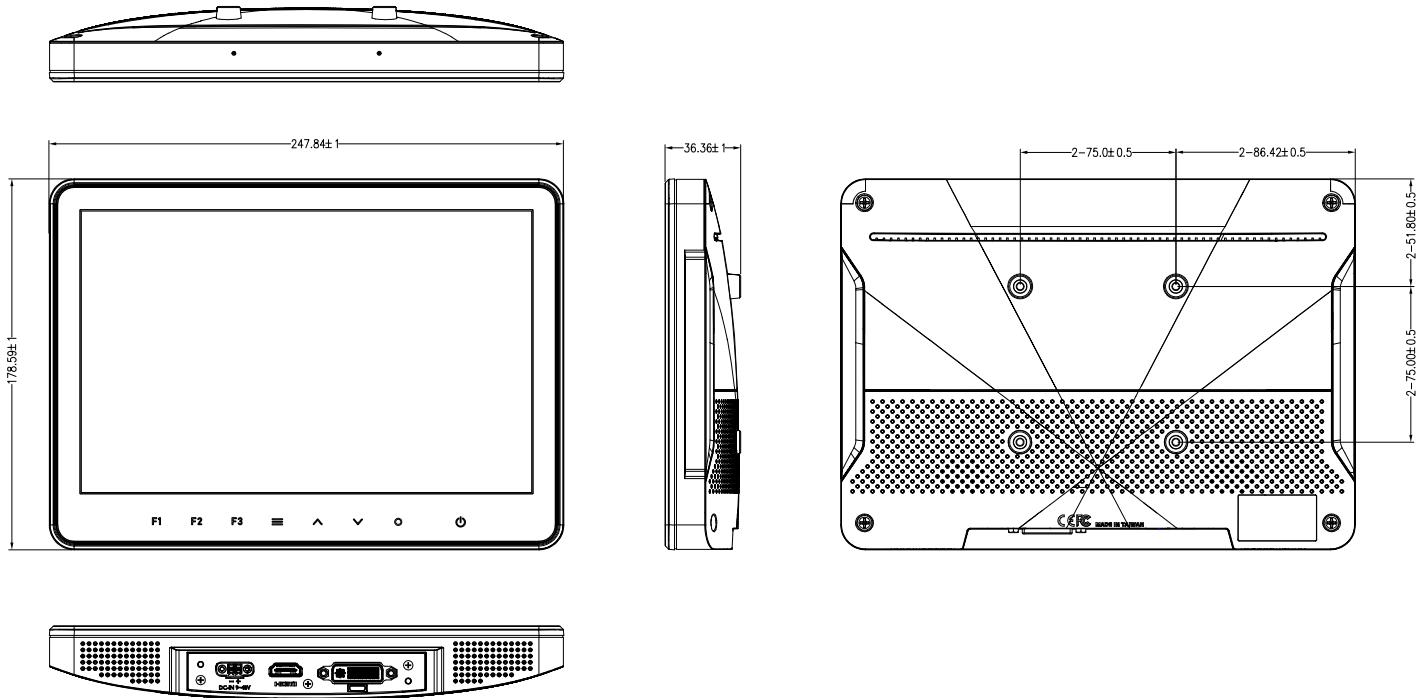
VDM-101HD is a touch monitor with a wide power input voltage range and operating temperature dedicated to in-vehicle computing. An ideal operating terminal for fleet management and intelligent cockpit applications on commercial vehicles. The panel resolution of 1280 x 800 and typical brightness of 500 nits excel among other 10.1" monitors on the market. SINTRONES' proprietary cable design, which delivers video, audio, touch signal, and power in one cable connection, provides effortless deployment and installation.

## Specification

LCD		Mechanical	
Screen Size / Ratio	10.1 inches / 16 : 10	Dimension	247.84 (L) x 178.59 (W) x 36.36 (H) mm
Resolution	1280 (H) x 800 (V) RGB	Mounting	VESA MIS-D 75 mm
Active Area (mm)	218.16 (H) x 136.80 (V) mm	Weight	900g
View Angle (H/V)	80 / 80 / 80 / 80 Degree	IP Rating	(Front) IP65; (others) IP4X
Brightness (nits)	500 nits (typical)	Power Requirement	
Contrast Ratio	1000 : 1 (typical)	Power Input	9V - 48V DC Power Input (Power input via DVI or Terminal Block Connector)
Backlight Type	LED	Environmental	
Touch		Operating Temp.	-20 °C ~ 60 °C with 0.6 m/s airflow
Type	Projected Capacitive with Multi-touch	Storage Temp.	-40 °C ~ 80 °C
I/O		Relative Humidity	10% RH – 90% RH (non-condensing)
Multi-IO	1 x DVI-D 29 pins Connector for DVI-D Single Link Video, Touch (USB 2.0), Line in, MIC out, and DC 9~48V Power input * SINTRONES custom pin definition for SINTRONES optional cable only	Vibration	IEC60068-2-64, random, 2.5G@5~500Hz, 1hr/axis MIL-STD-810G, Method 514.6, Procedure I, Cat.4, Operating
Secondary Video Input	1 x HDMI	Shock	Operating: MIL-STD-810G, Method 516.6, Procedure I, Trucks and semi-trailers=15G (11ms)
Function Key	6 x Touch Hotkeys	Certifications	CE, FCC Class A, E-Mark
Audio			
Microphone	2 x Built-in Digital MIC		
Speaker	Stereo Speaker with Built-in Amplifier		

## Dimensions

Unit: mm



## Ordering Information

Ordering Information	
Model Number	VDM-101HD
Description	16:10 10.1" 500nits In-Vehicle Monitor w/ P-CAP Multi-touch
State of Origin	Made in Taiwan

## Optional Accessories

Optional Accessories	
DVI - DVI Cable	DVI to DVI SINTRONES Custom Pin Define for VBOX-3630, VBOX-3122, VBOX-3131, SBOX-2622, SBOX-2602
DVI - 4 Ports Combo Cable	DVI to 4 Ports for VBOX-3611, VBOX-3130, VBOX-3121
DVI - 6 Ports Combo Cable	DVI to 6 Ports for ABOX-5210(G), ABOX-5200(G), ABOX-5000